

- ✓ **compact** (150 x 180 x 18.5 mm)
- ✓ **light** (1.1 kg)
- ✓ **efficient** ($R_{th} < 10 \text{ }^\circ\text{C/kW}$ @ 5 l/min)
- ✓ **safe and reliable** Leak free (100% tested @ 10 bar)

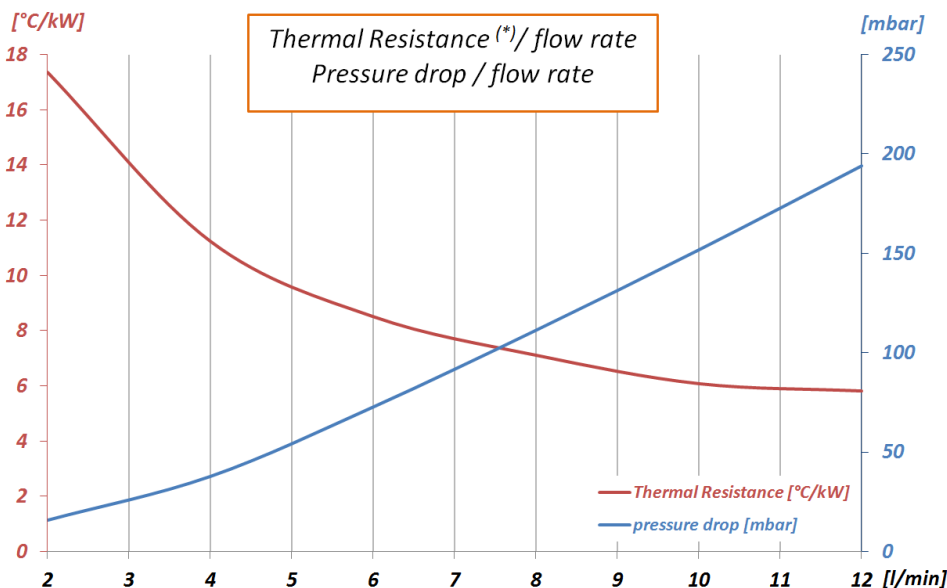
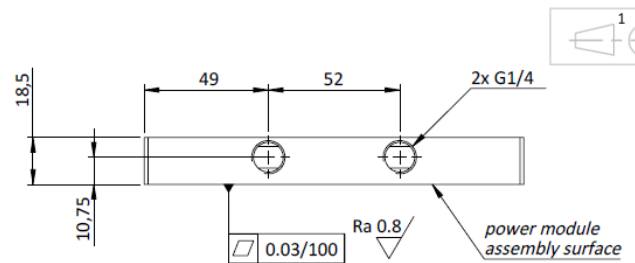
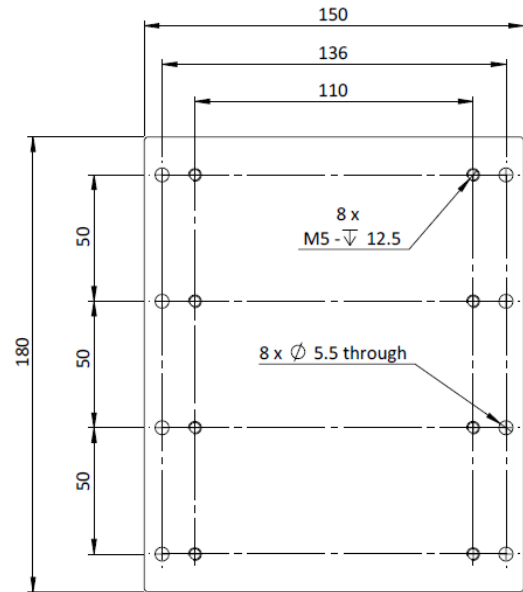
Materials: Aluminum alloy Al EN AW 6060 + turbulators inside

Cooling circuit 100% sealed by brazing under controlled atmosphere

Very uniform temperature distribution under power modules

Compatible Power Module Packages:

- ✓ MITSUBISHI Intellimod™ L-Series
- ✓ INFINEON EconoPACK™ +
- ✓ SEMIKRON SEMiX® 33
- ✓ FUJI Semiconductor M629



Suitable for any high power semiconductor application



Please contact Priatherm
info@priatherm.com
for any technical support

(*) Thermal Resistance: max T_{LCP} surface to $T_{fluid IN}$ (Water + Ethylene Glycol 50%vol. @40°C)