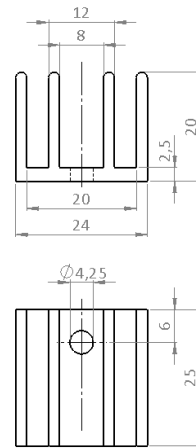


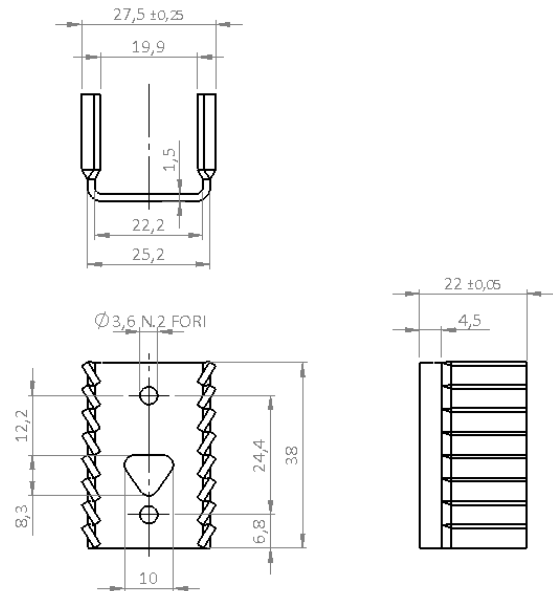
Part Number
PTBMA0001

Rth (°C/W) Natural Convection black anodized
10.6



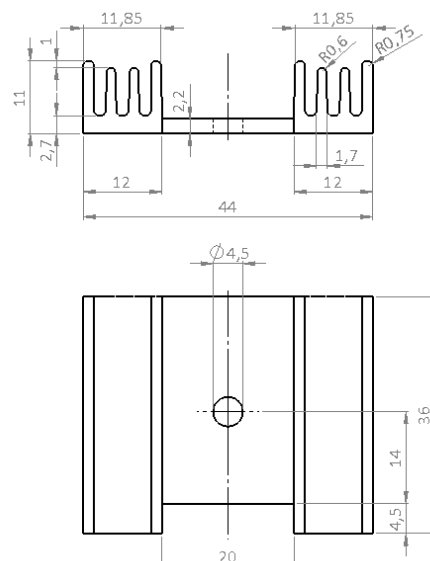
Part Number
PTBMA0002

Rth (°C/W) Natural Convection black anodized
10.3



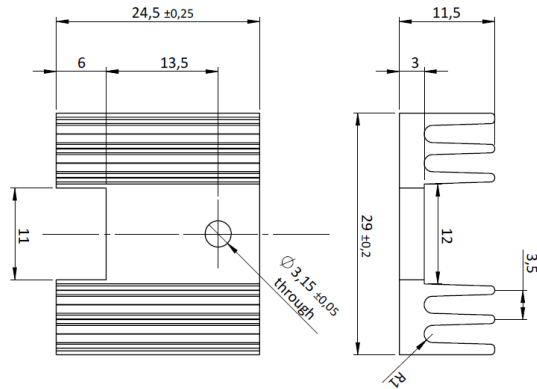
Part Number
PTBMA0003

Rth (°C/W) Natural Convection black anodized
10.5



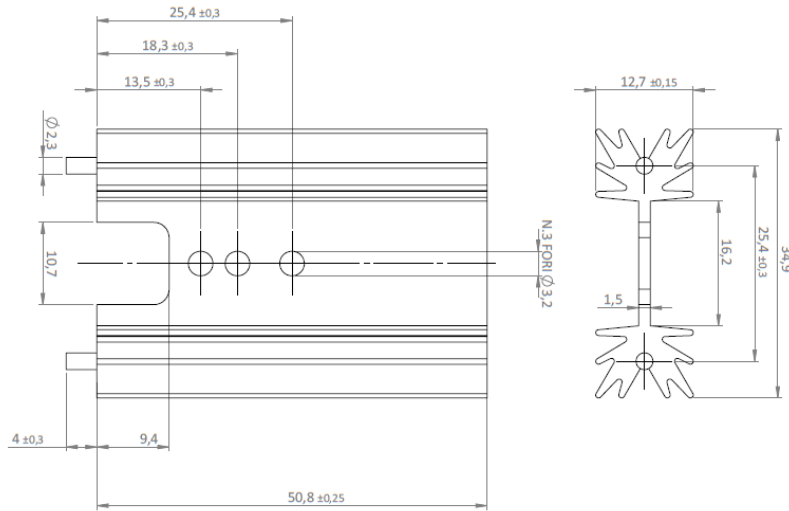
Part Number
PTBMA0004

Rth (°C/W) Natural Convection black anodized
14.3



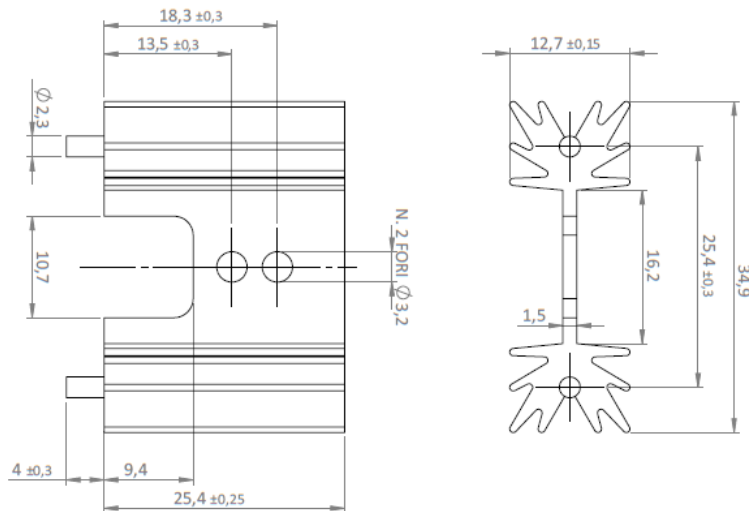
Part Number
PTBMA0005

Rth (°C/W) Natural Convection black anodized
7.2



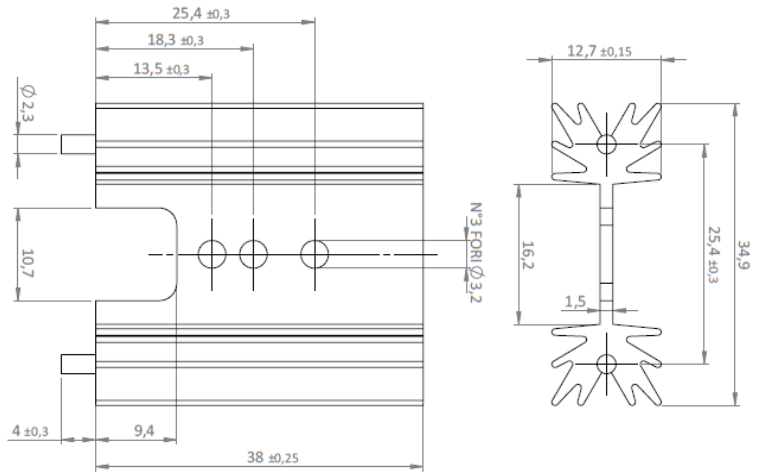
Part Number
PTBMA0006

Rth (°C/W) Natural Convection black anodized
9.3

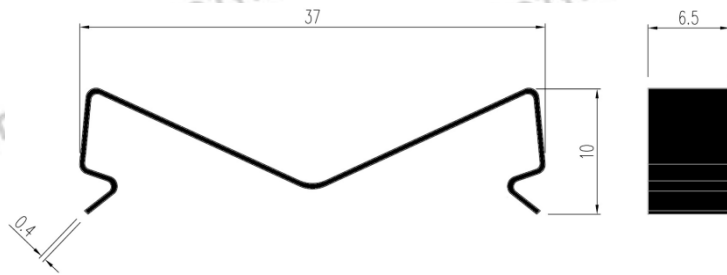


Part Number
PTBMA0007

Rth (°C/W) Natural Convection black anodized
8.1

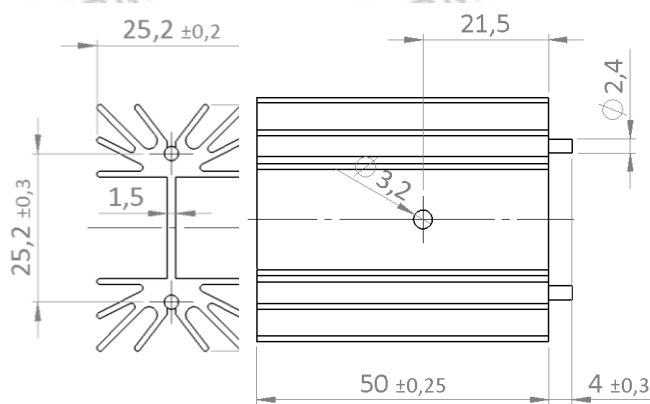


Part Number
RMSP00001



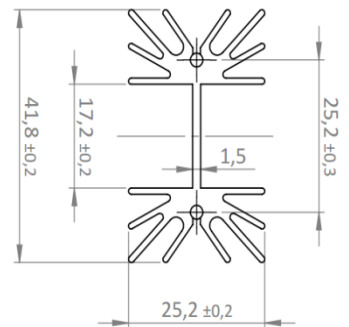
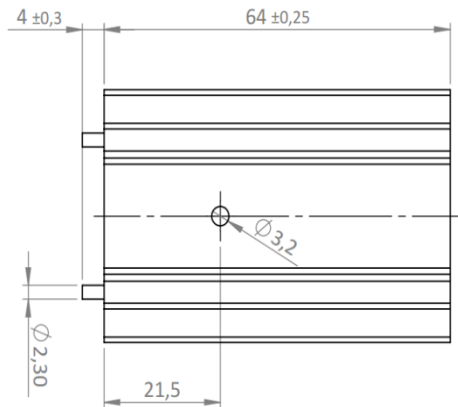
Part Number
PTBMA0008

Rth (°C/W) Natural Convection black anodized
4.2



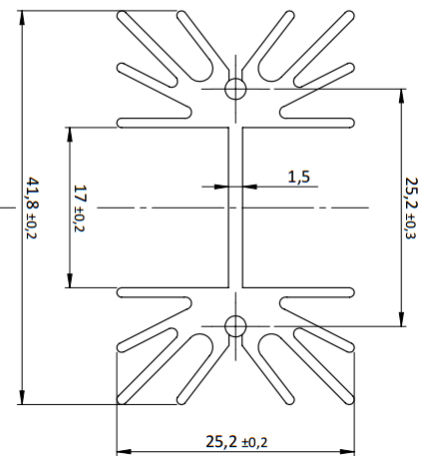
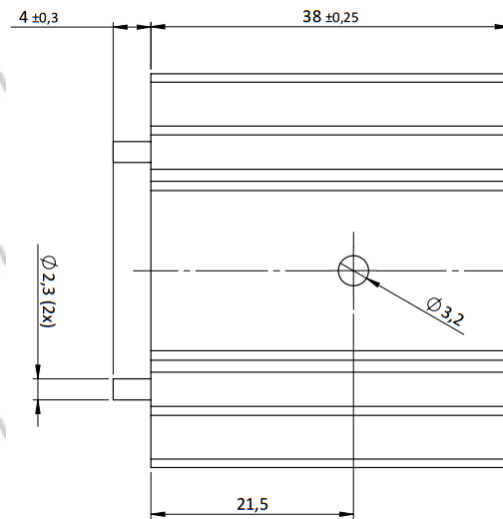
Part Number
PTBMA0009

Rth (°C/W) Natural Convection black anodized
3.7

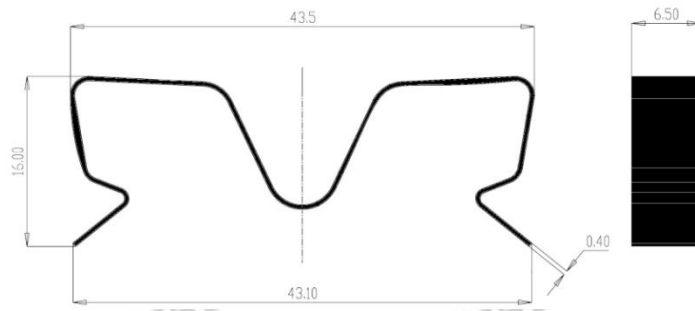


Part Number
PTBMA0010

Rth (°C/W) Natural Convection black anodized
4.6

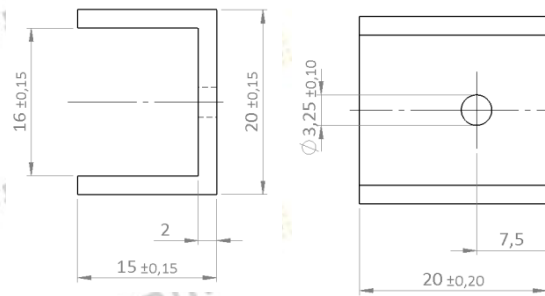


Part Number
RMSP00002



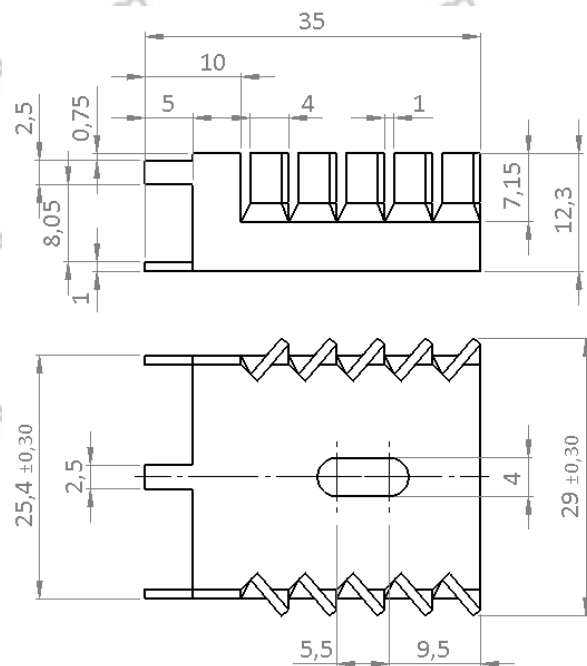
Part Number
PTBMA0011

Rth (°C/W) Natural Convection black anodized
16.9



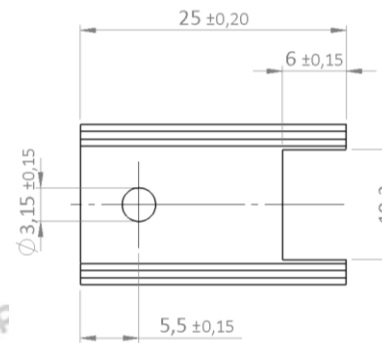
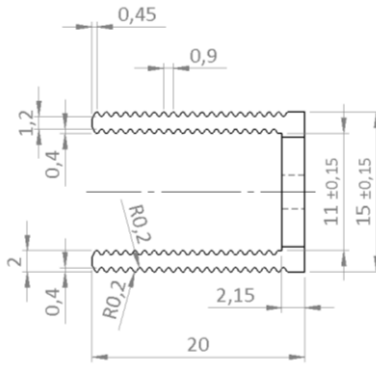
Part Number
PTBMA0012

Rth (°C/W) Natural Convection black anodized
16.3



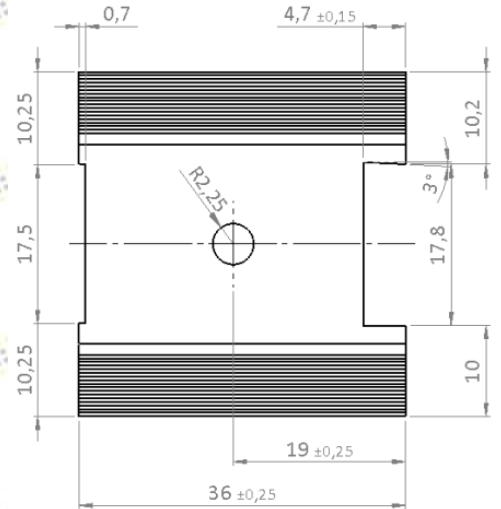
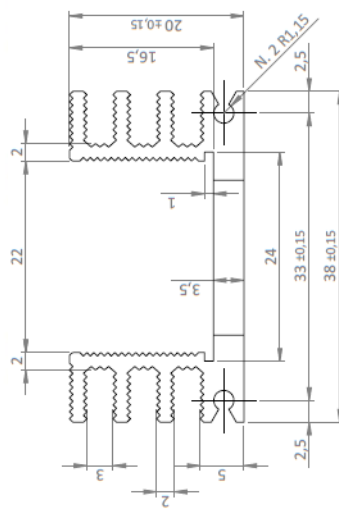
Part Number
PTBMA0013

Rth (°C/W) Natural Convection black anodized
15.8



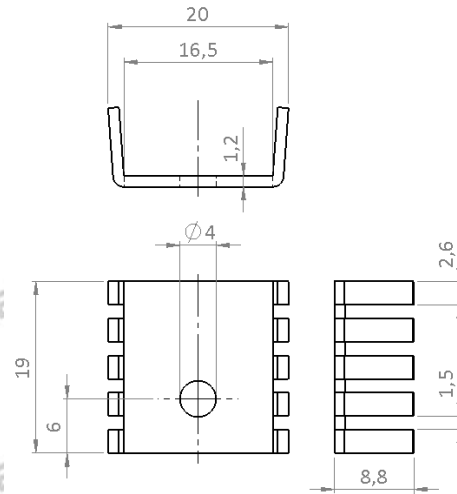
Part Number
PTBMA0014

Rth (°C/W) Natural Convection black anodized
8.9



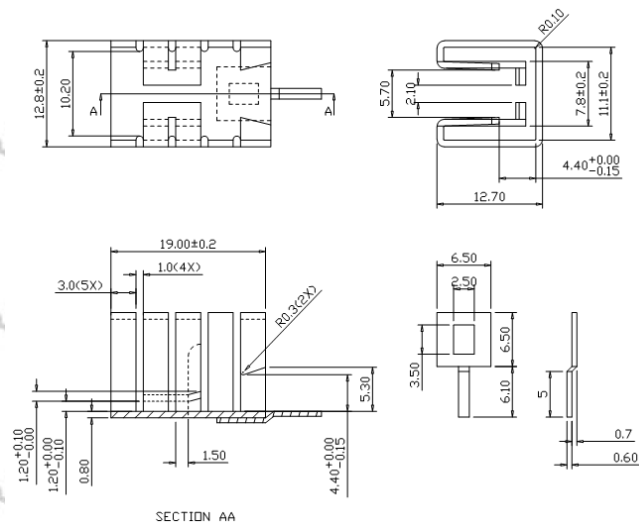
Part Number
PTBMA0015

Rth (°C/W) Natural Convection black anodized
16.2



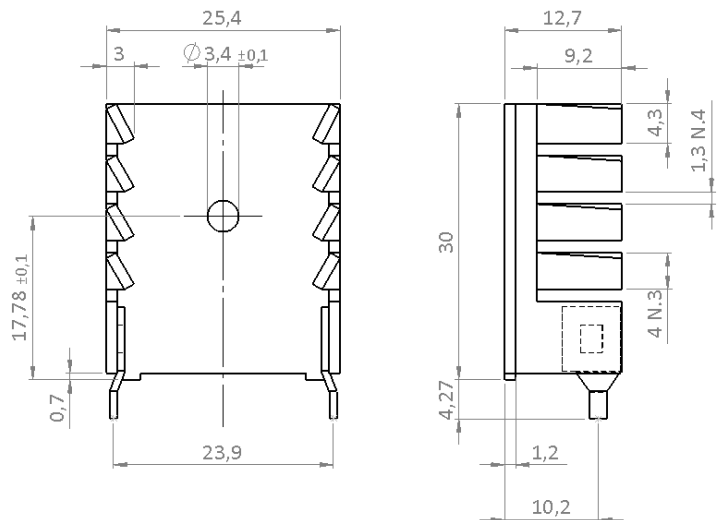
Part Number
PTBMA0016

Rth (°C/W) Natural Convection black anodized
16.3

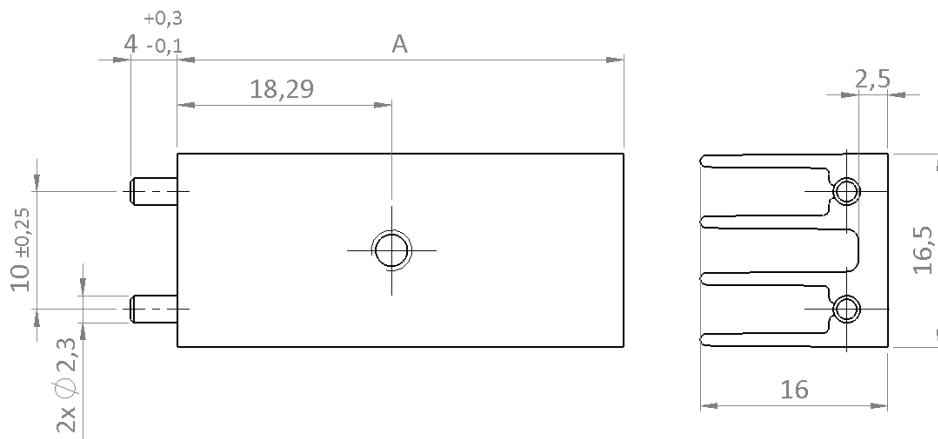


Part Number
PTBMA0017

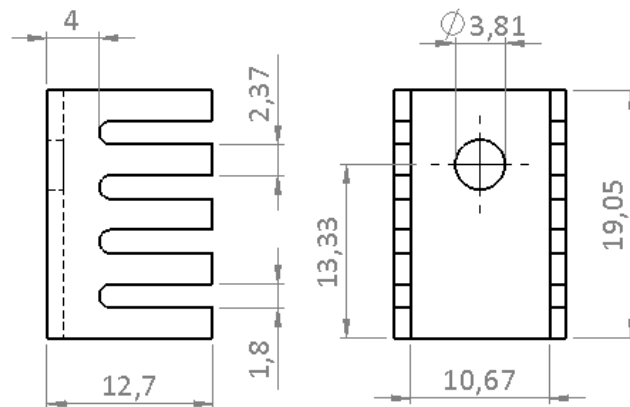
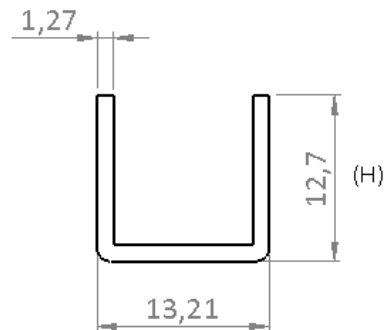
Rth (°C/W) Natural Convection black anodized
12.5



Part Number	Dim. A	Rth (°C/W) Natural Convection black anodized
PTBMA0018	38.1 mm	7.9
PTBMA0020	25.4 mm	14.1

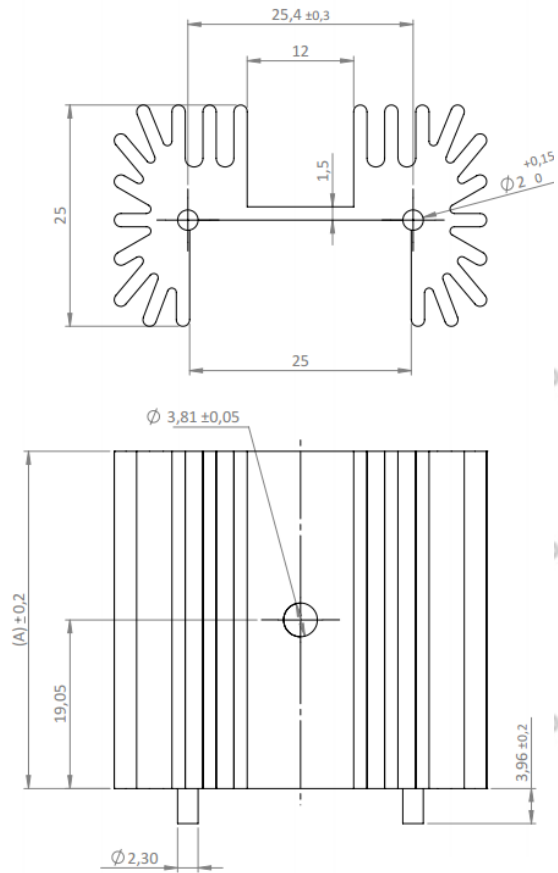


Part Number	Dim. H	Rth (°C/W) Natural Convection black anodized
PTBMA0019	6.35 mm	26.5
PTBMA0022	12.7 mm	18.0



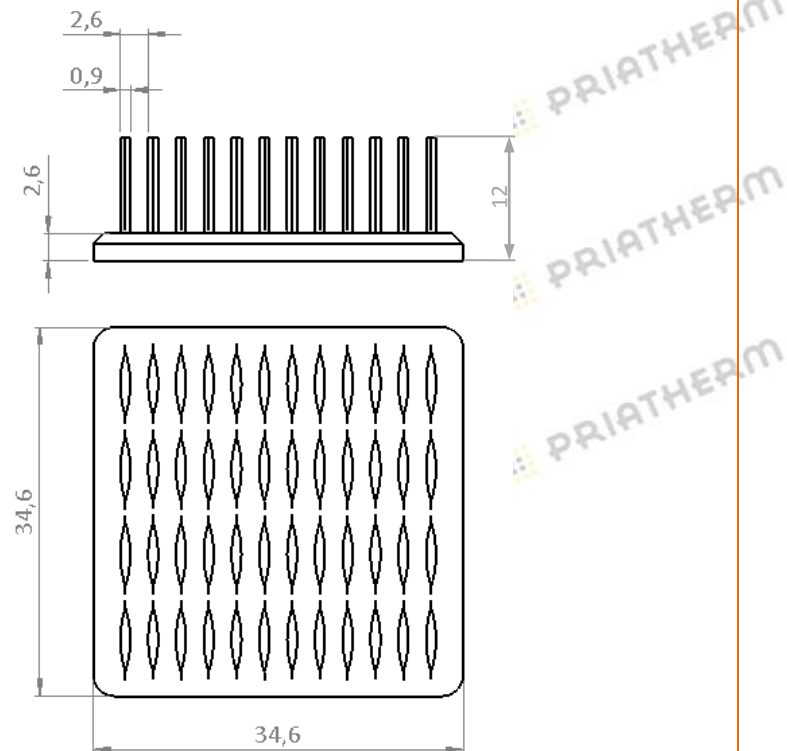
Part Number	Dim A
PTBMA0021	38.1 mm

Rth (°C/W) Natural Convection black anodized
4.1



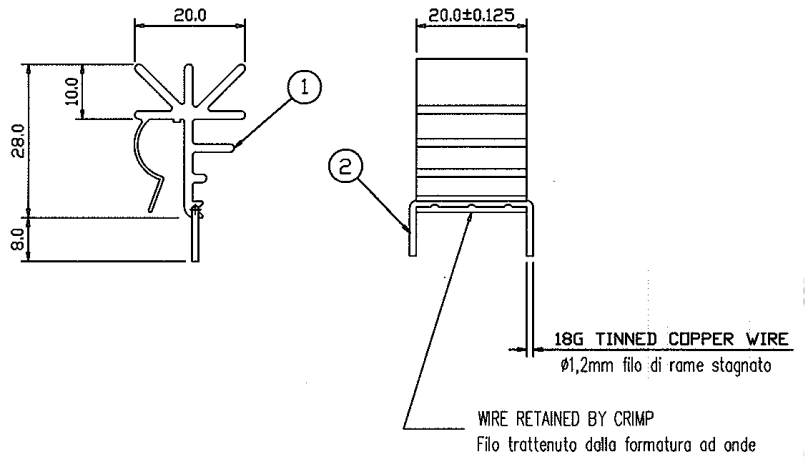
Part Number
PTBMA0023

Rth (°C/W) Natural Convection black anodized
4.2



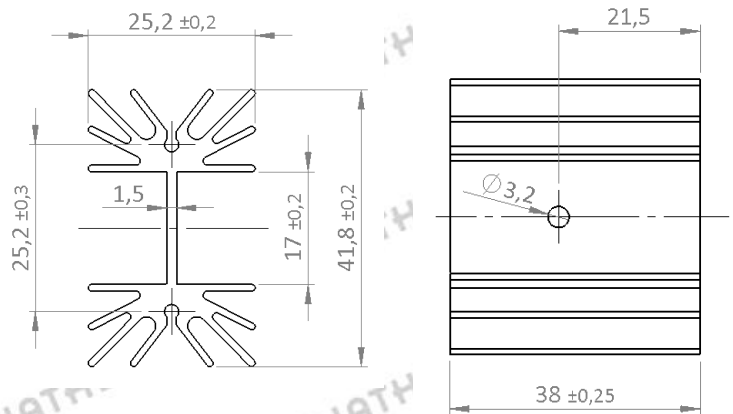
Part Number
PTBMA0027

Rth (°C/W) Natural Convection black anodized
12.6



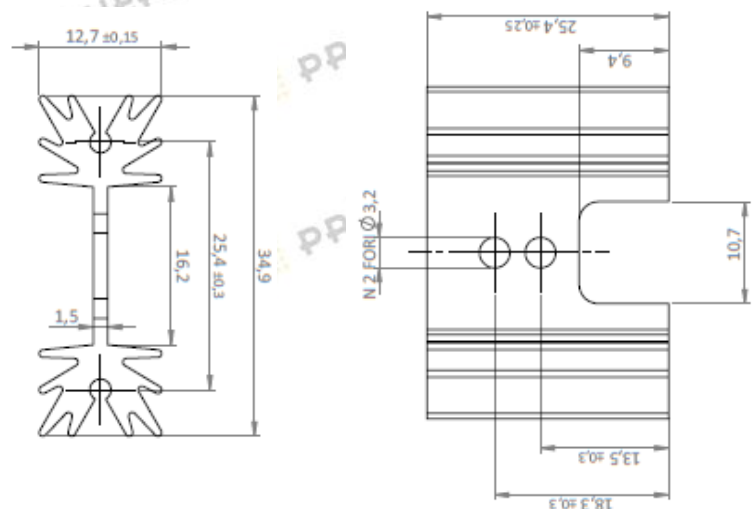
Part Number
PTBMA0028

Rth (°C/W) Natural Convection black anodized
4.5



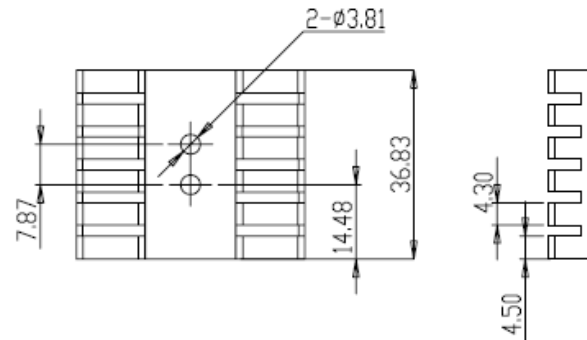
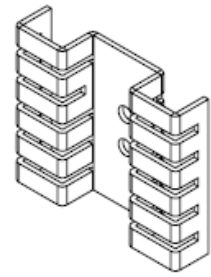
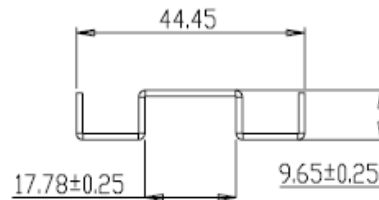
Part Number
PTBMA0029

Rth (°C/W) Natural Convection black anodized
9.1



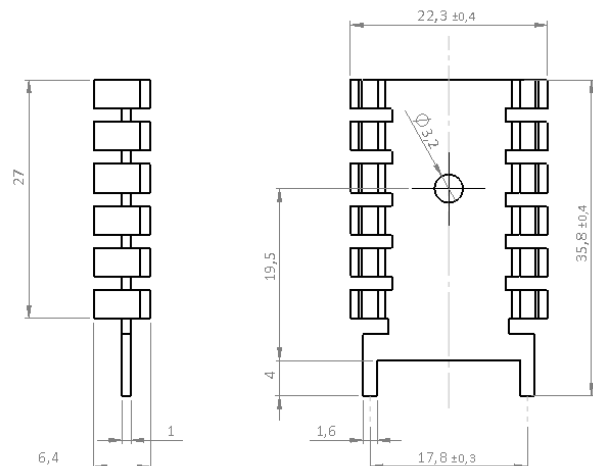
Part Number
PTBMA0030

Rth (°C/W) Natural Convection black anodized
7.1



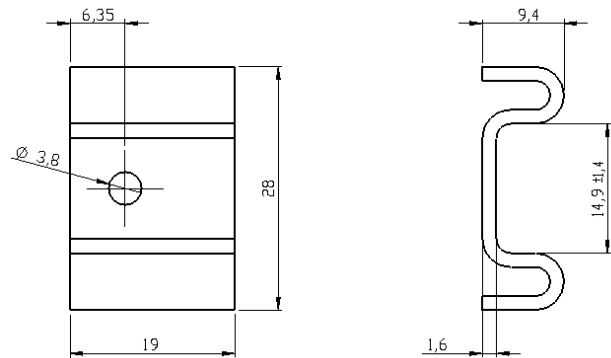
Part Number
PTBMA0031

Rth (°C/W) 2 m/s ventilation black anodized
6.1



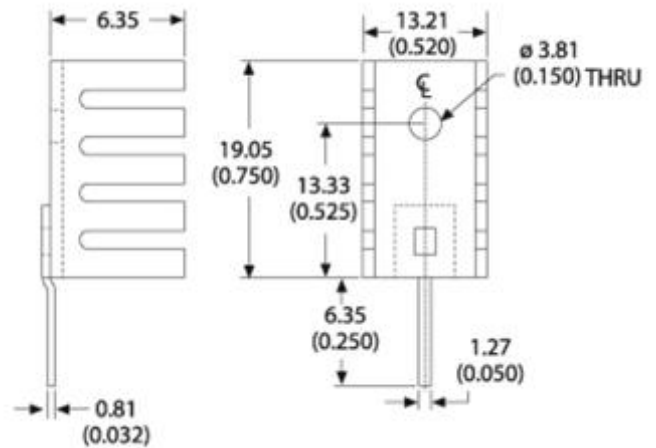
Part Number
PTBMA0032

Rth (°C/W) Natural Convection black anodized
16.1



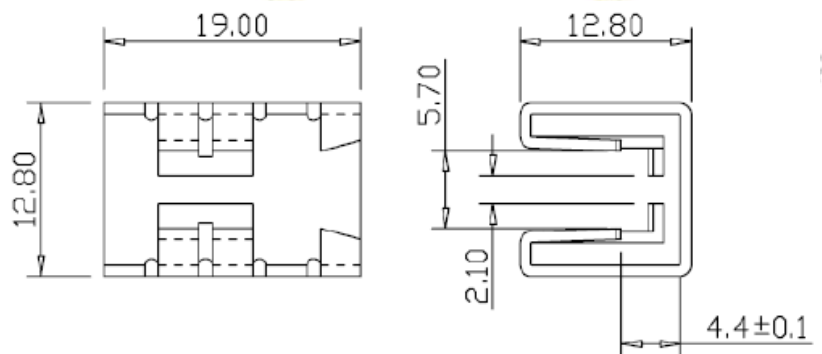
Part Number
PTBMA0033

Rth (°C/W) Natural Convection black anodized
22.2



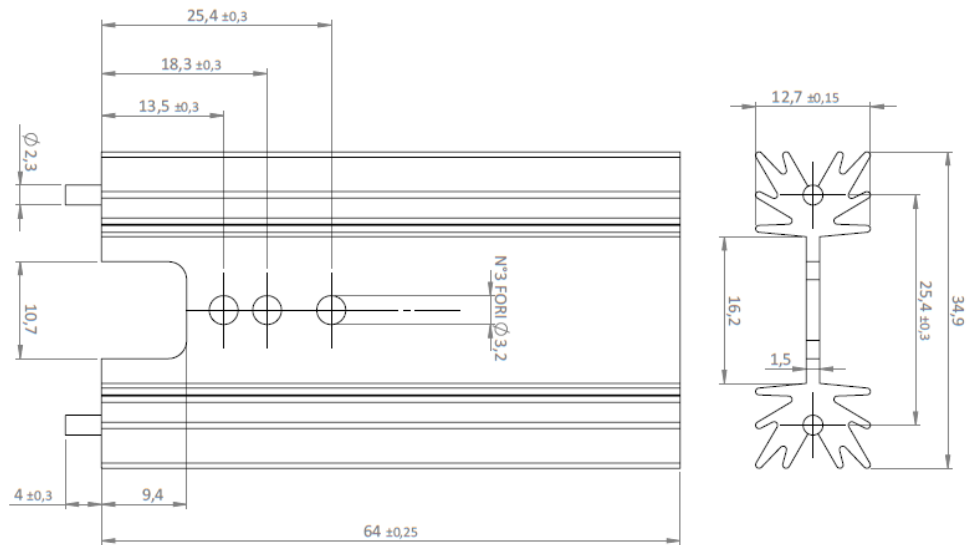
Part Number
PTBMA0034

Rth (°C/W) Natural Convection black anodized
19.5



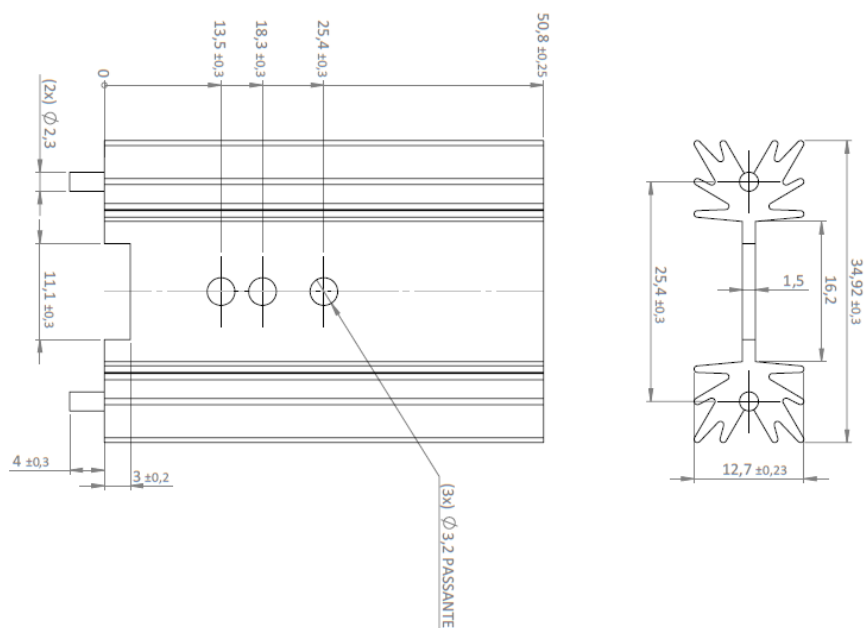
Part Number
PTBMA0035

Rth (°C/W)
Natural Convection
black anodized
6.1



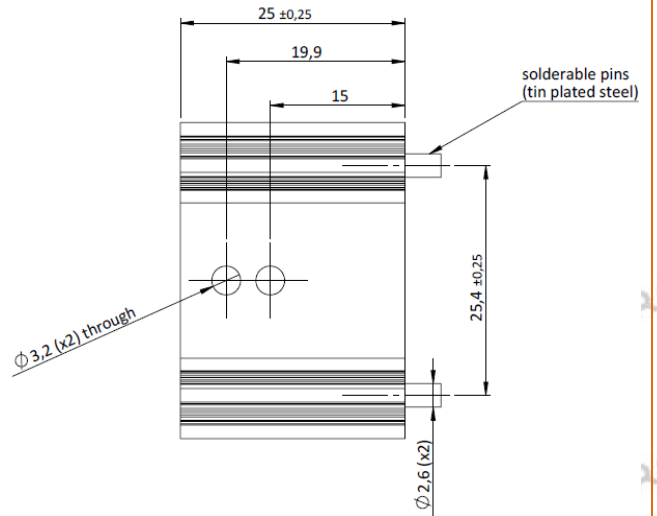
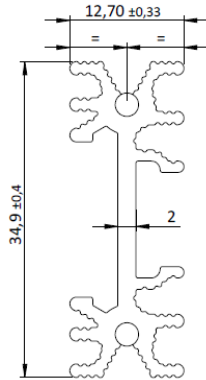
Part Number
PTBMA0036

Rth (°C/W)
Natural Convection
black anodized
7.1



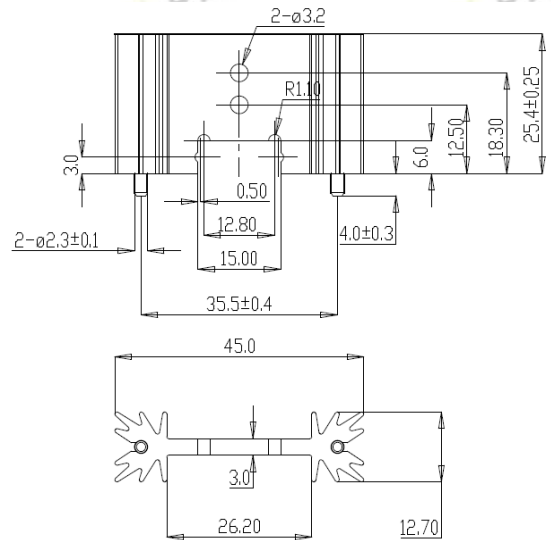
Part Number
PTBMA0037

Rth (°C/W) Natural Convection black anodized
12.0



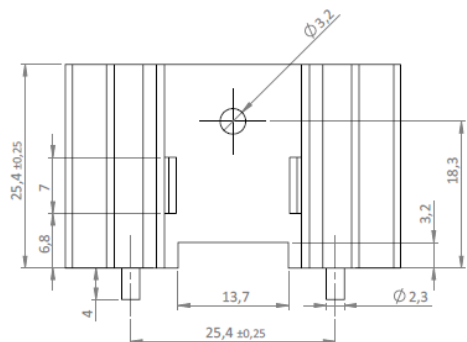
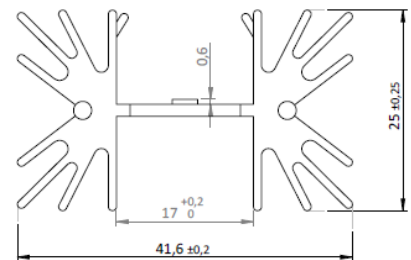
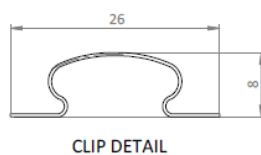
Part Number
PTBMA0038

Rth (°C/W) Natural Convection black anodized
9.1



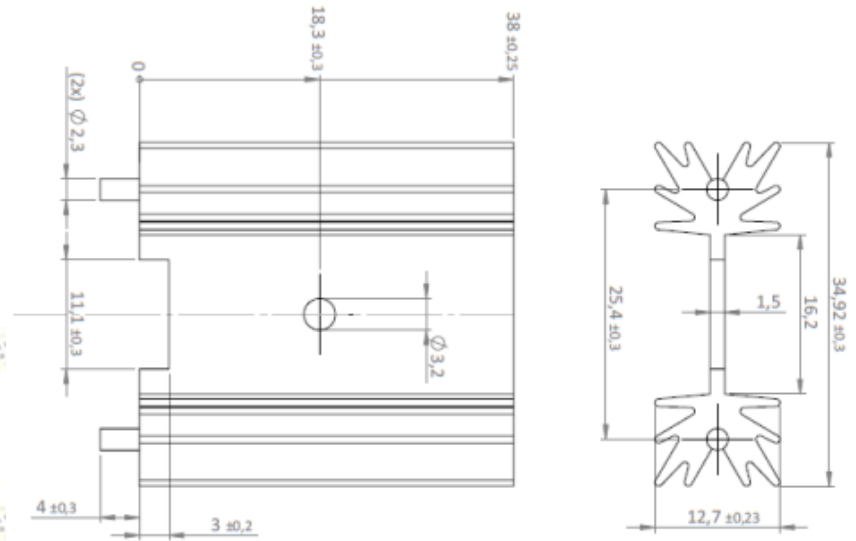
Part Number
PTBMA0039

Rth (°C/W) Natural Convection black anodized
4.5



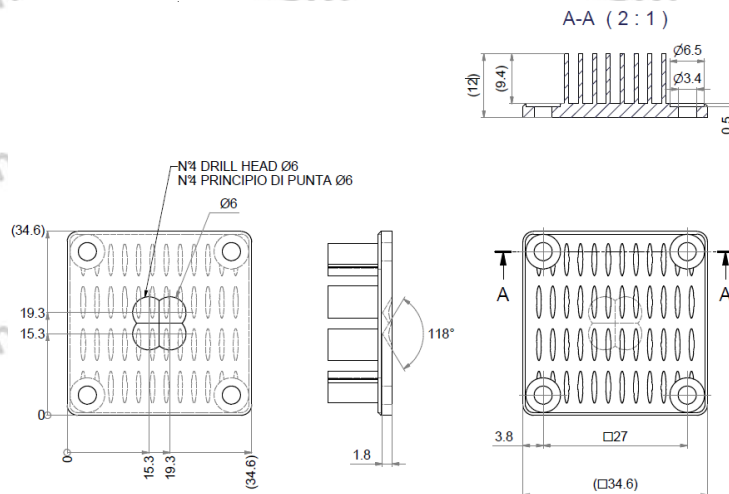
Part Number
PTBMA0040

Rth (°C/W) Natural Convection black anodized
8.0



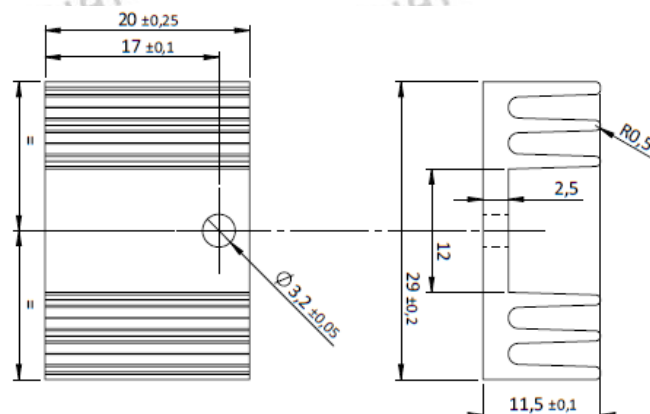
Part Number
PTBMA0041

Rth (°C/W) Natural Convection black anodized
4.4



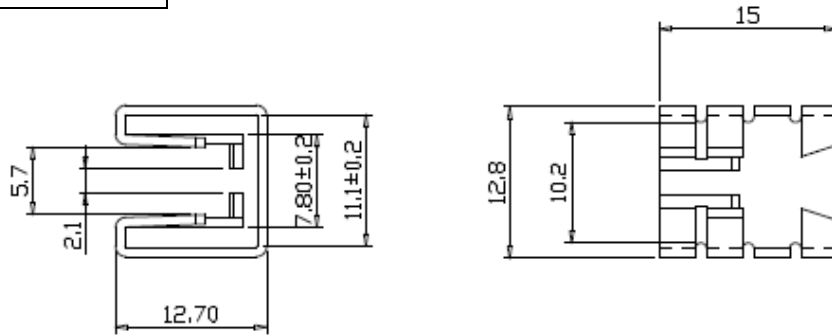
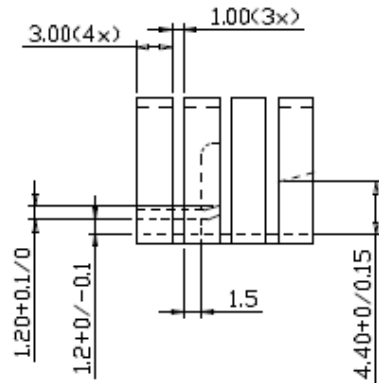
Part Number
PTBMA0042

Rth (°C/W) Natural Convection black anodized
14.0



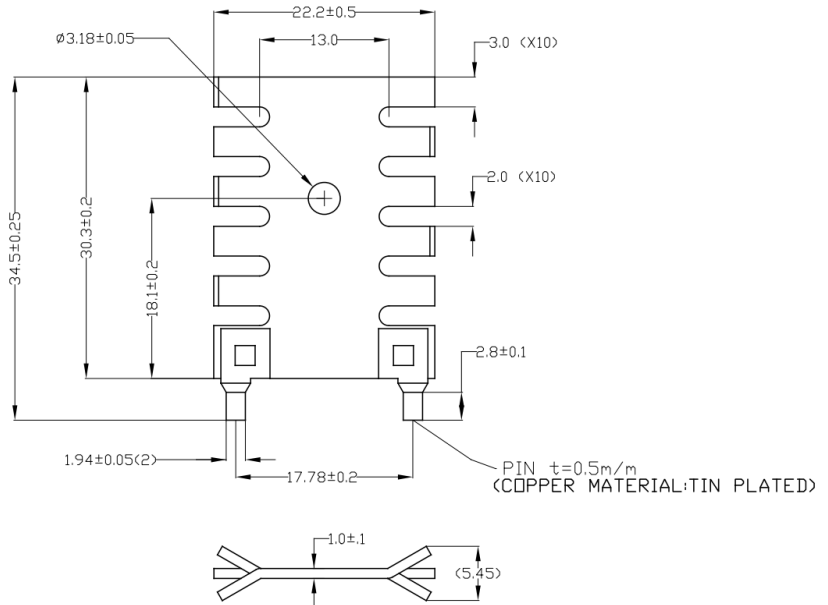
Part Number
PTBMA0043

Rth (°C/W) Natural Convection black anodized
23.0



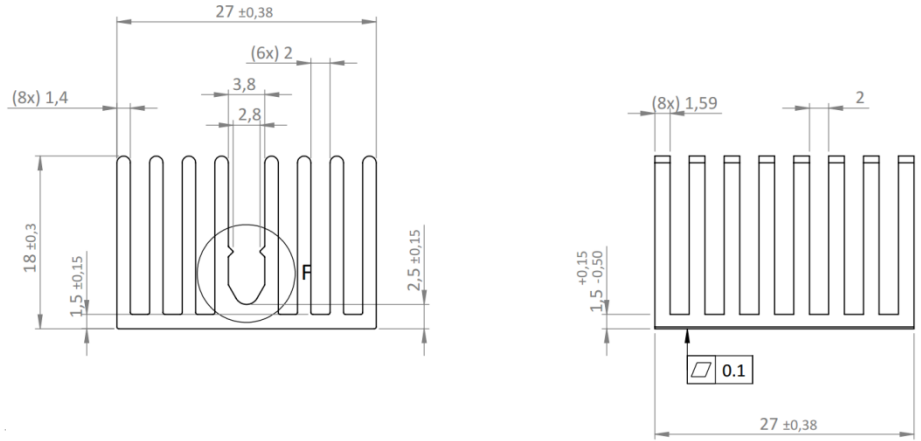
Part Number
PTBMA0044

Rth (°C/W) Natural Convection black anodized
13.0



Part Number
PTBMA0045

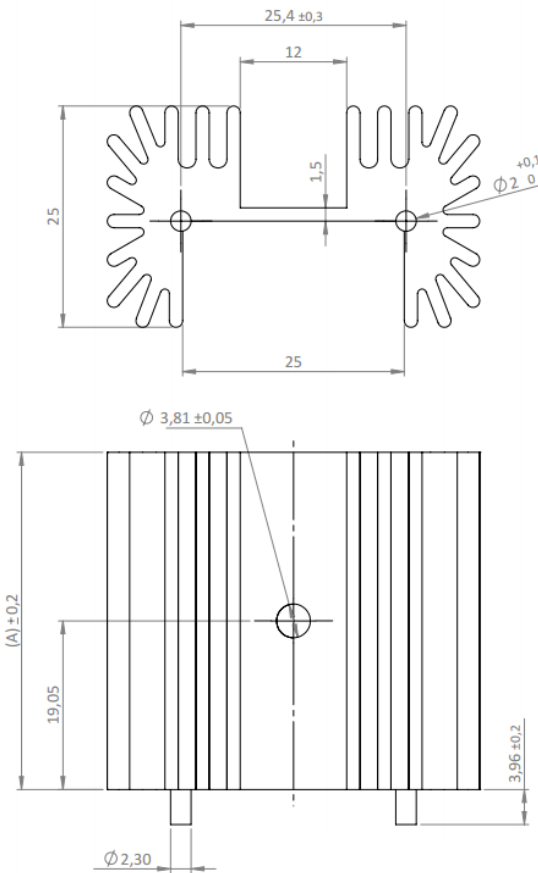
Rth (°C/W) Natural Convection black anodized
20.30



With Chomerics T-411 pad (24x24)

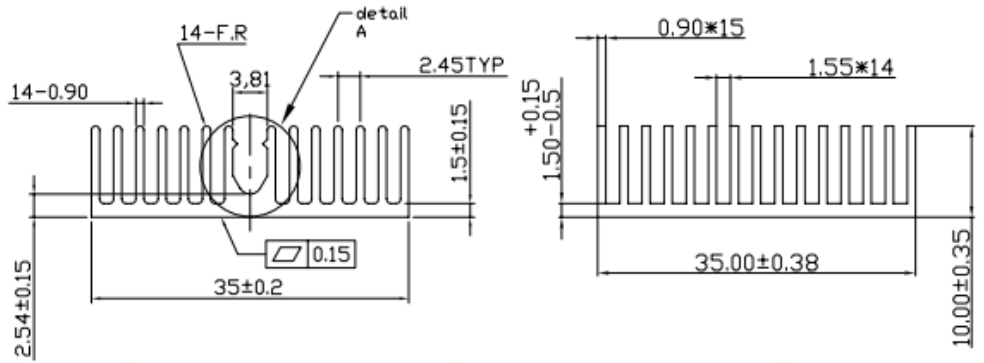
Part Number	Dim A
PTBMA0046	25.4 mm

Rth (°C/W) Natural Convection black anodized
4.6



Part Number
PTBMA0047

Rth (°C/W) Natural Convection black anodized
23.4



With Chomerics T-405R